

DeMistoO

Sizes 2" through 12"

Automatic draining

(to prevent moisture accumulation)

Aluminum

(other materials available upon request)

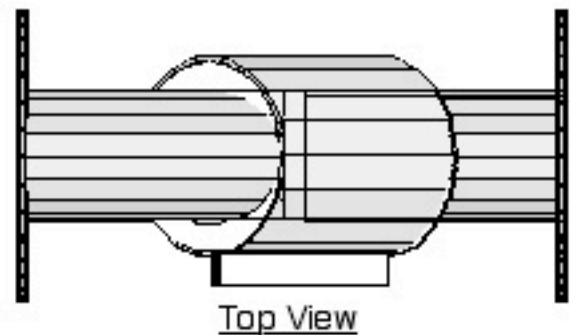
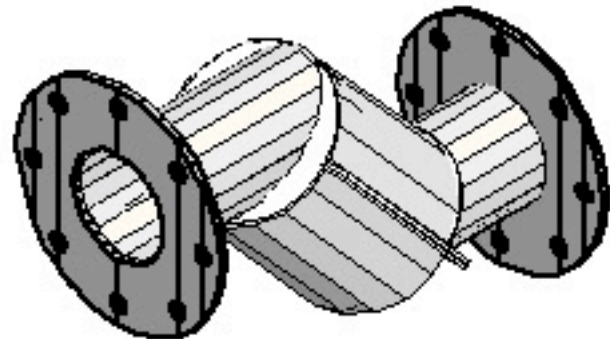
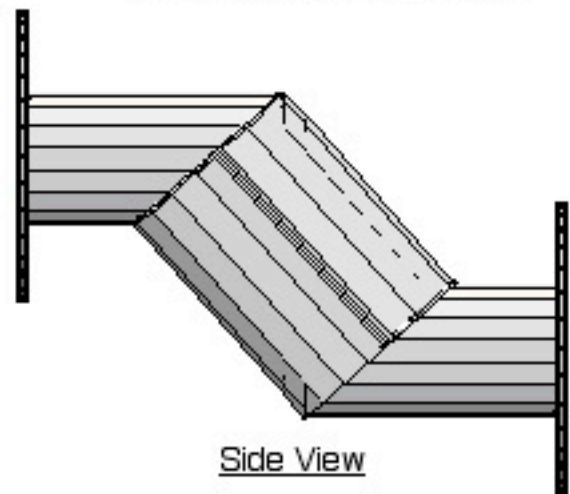
Flanged with ANSI 125# bolt pattern

Hydraulically water tested to 5 psi

Bolted clam shell opening for cleaning

Available with most media and micron ratings

Demister Housing



Different from other coalescing filter housing designs the Demisto minimizes the pressure drop for low pressure applications (less than 5 psi). Media include stainless steel and polypropylene with specified micron rating. A simple half opening lid allows for the next line size filter to be simply maintained or replaced. This design allows for increased gas flows. Any liquid condensate back drains to eliminate accumulation. Ideally suited for side tank outlets.

Manufactured For