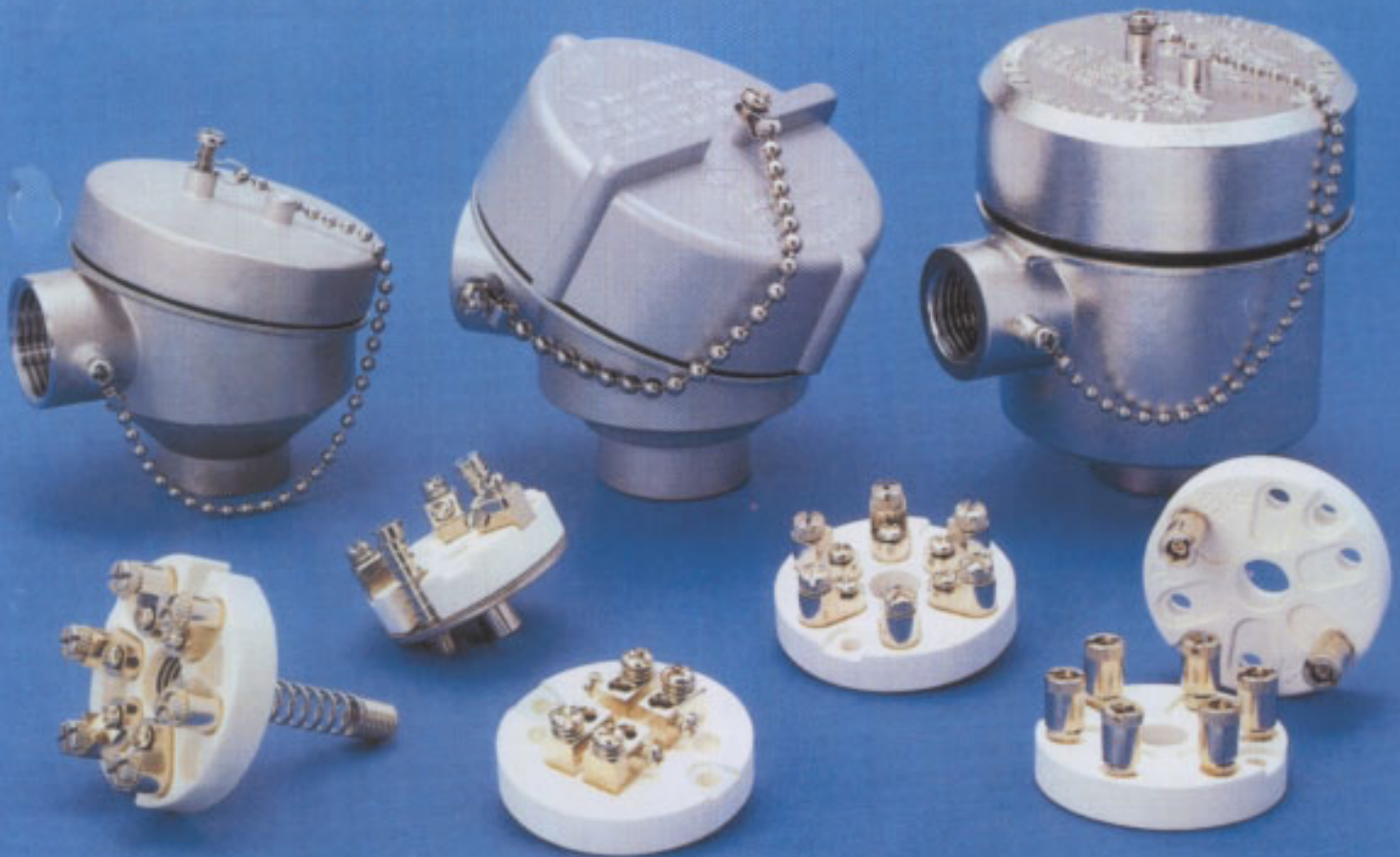


# THERMOCOUPLE HEADS AND TEMPERATURE ACCESSORIES



**TECHLINE MANUFACTURING COMPANY**

[www.techlinemfg.com](http://www.techlinemfg.com)

## COMPANY PROFILE

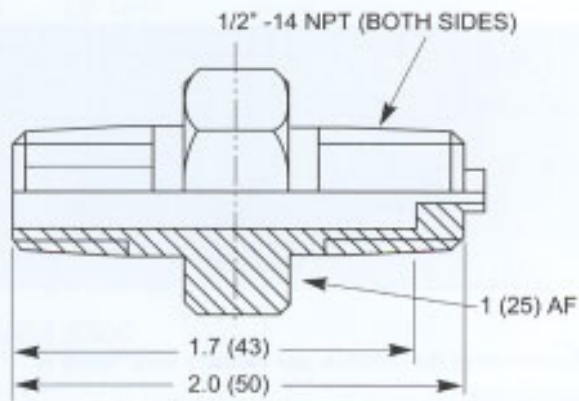
Incorporated in 1982 by a group of engineers with a wealth of experience in process control instrumentation, we have developed a complete line of supportive products for a range of industries, which include the high corrosive environments found in the offshore oil exploration platforms to the basic sanitary needs of the food and beverage industries. Our products are economically priced and designed to meet the needs of OEM's as well as end users with no compromise in quality.

Now that we have entered the new millennium, we will continue to strive to give our customers worldwide a superior price/performance ratio in all our products. Fully equipped with state of the art manufacturing facilities, and backed by a team of qualified and dedicated design and production engineers, our company is positioned to meet the high technological standards and the ever changing demands of process industries worldwide.

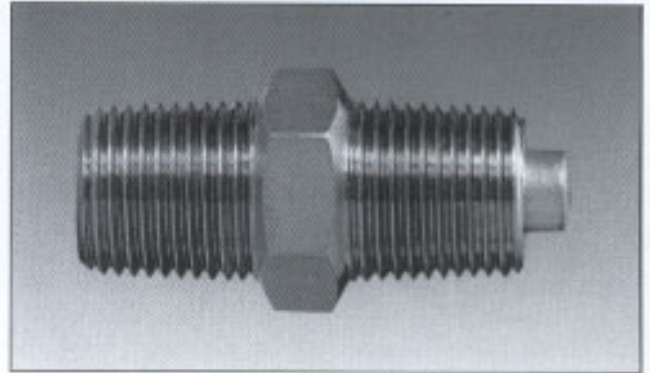


# SS316 ADAPTERS

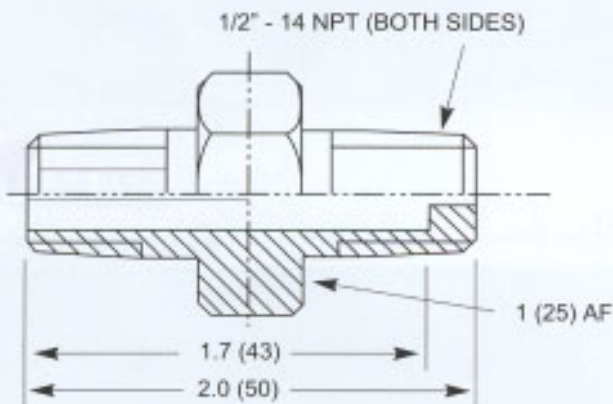
## Model 3201



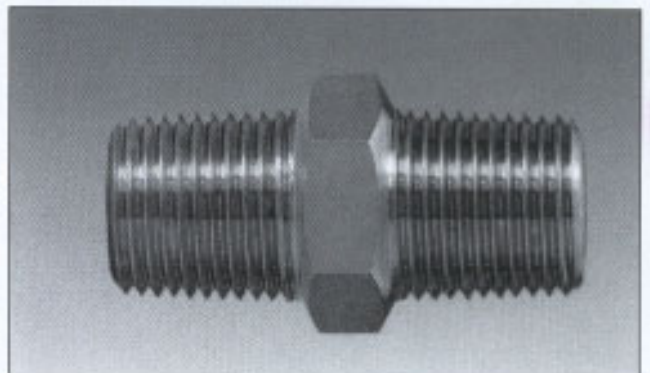
Suitable for welding directly on to 1/4" diameter sensors. Other materials and thread sizes available optionally.



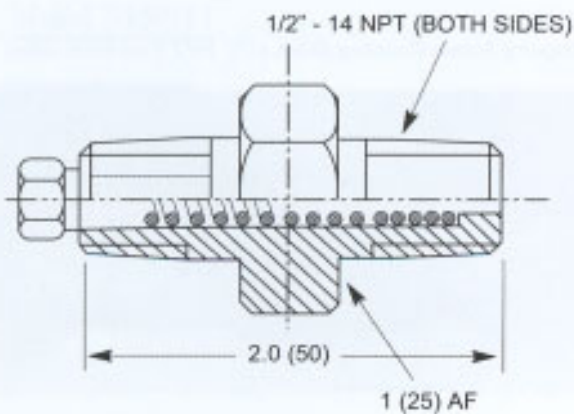
## Model 3708



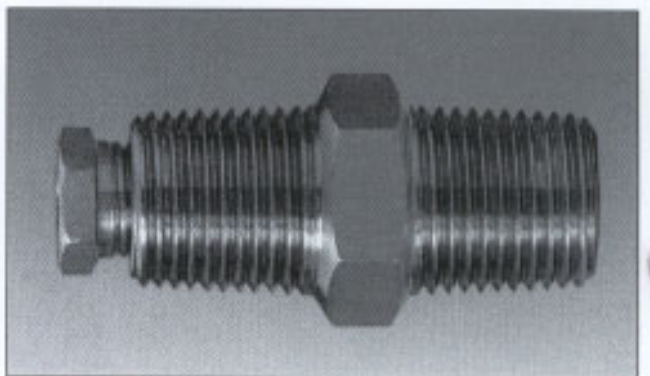
Suitable for spring loading 1/4" diameter sensors. Can be supplied with SS compression spring (Specify Model 3709)



## Model 3506



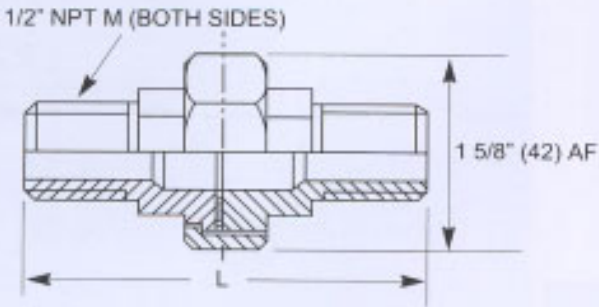
Suitable for spring loading 1/4" diameter sensors. SS Compression spring and retainer nut (SS316) are all included. Model 3507 is suitable for 6 mm diameter sensors.



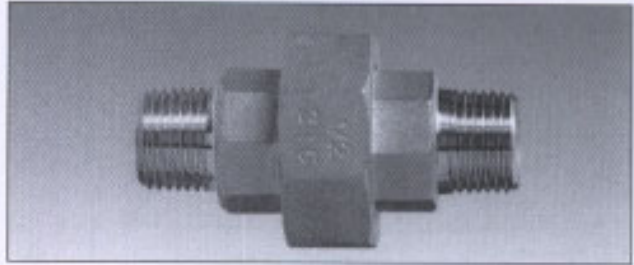
# TEMPERATURE SENSOR ACCESSORIES

## Male Union

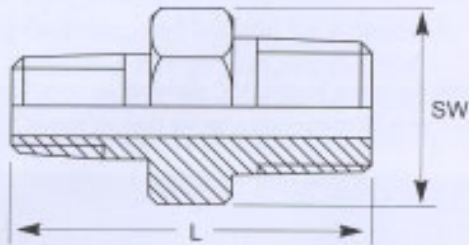
- Model 5330 L = 3" (75 mm)
- Model 5340 L = 4" (101 mm)
- Model 5360 L = 6" (152 mm)



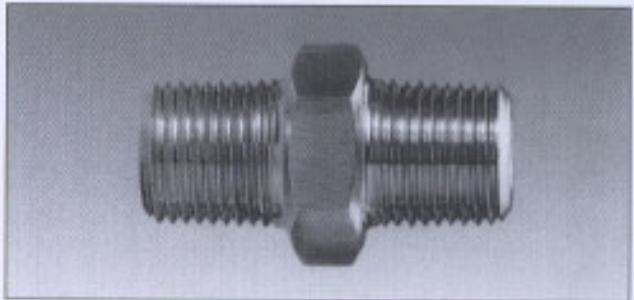
This Union comes with male threads on both sides, eliminating the need of two additional nipples. Three different models allow a variety of lengths.



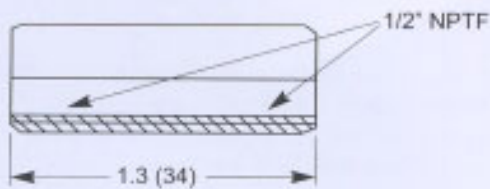
## Reducing Nipple



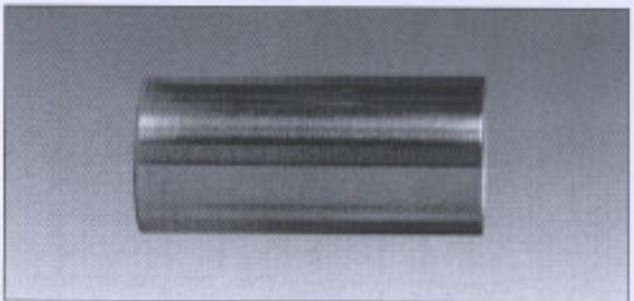
Constructed out of SS316, and used in a wide variety of applications.



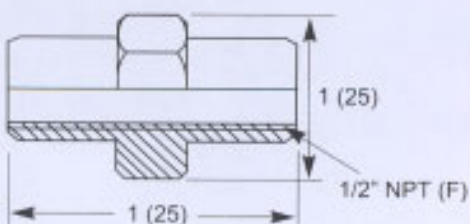
## Model 5510



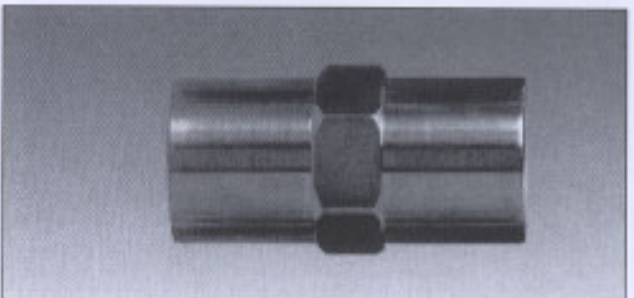
Plain Socket Coupling in SS316



## Model 5520



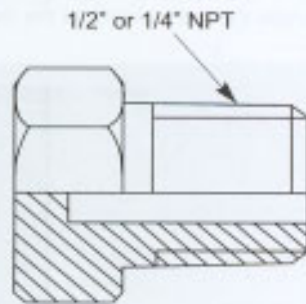
Hexagonal Socket Coupling SS316 (1/2" NPT F on Both Sides)



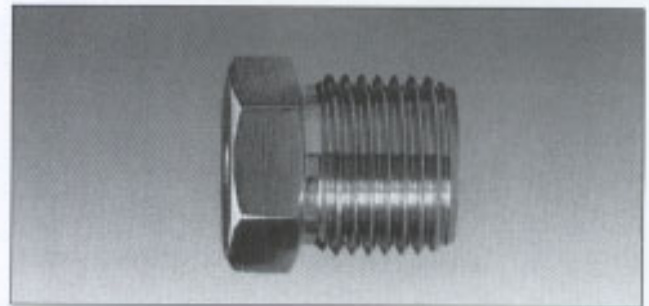
# TEMPERATURE SENSOR ACCESSORIES

## Model 5530/31

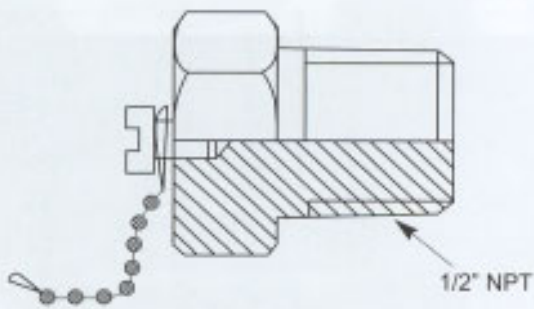
Model	Size
5530	1/4" NPT
5531	1/2" NPT



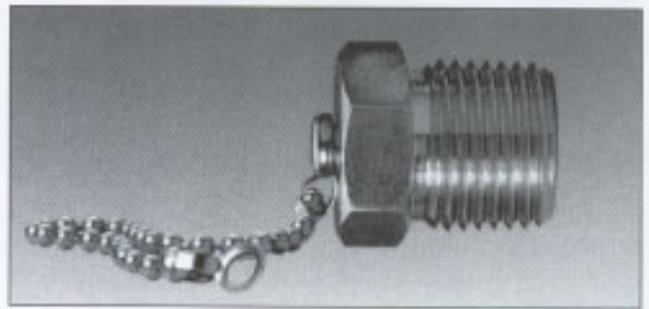
Hexagonal Plug in SS316. Comes in two sizes, 1/4" and 1/2" NPT.



## Model 5560

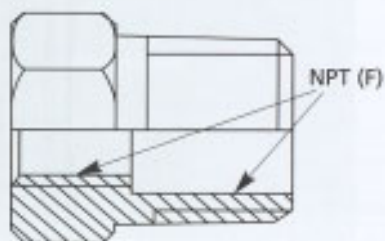


The SS316 Hexagonal Plug with 6" Long SS Ball Chain, suitable for plugging Thermowells and other devices.

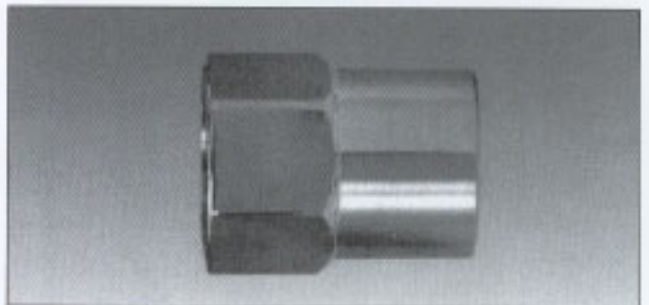


## Model 5570

Model	Size
5570	1/8" x 1/4"
5572	1/8" x 3/8"
5575	1/4" x 3/8"
5577	1/4" x 1/2"

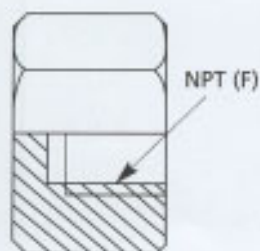


The SS316 Hexagonal Nipple Reducer



## Model 5550/51

Model	Size
5550	1/4" NPT
5551	1/2" NPT

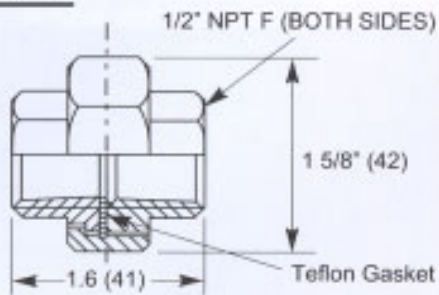


Hexagonal Cap in SS316

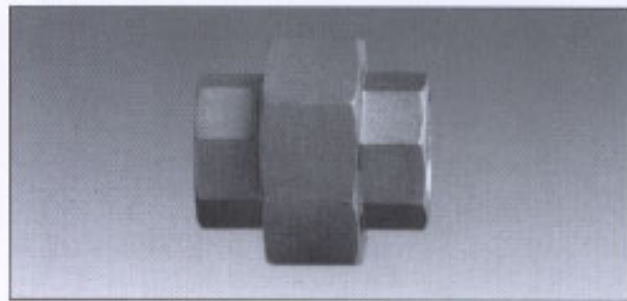


# TEMPERATURE SENSOR ACCESSORIES

## Model 5100

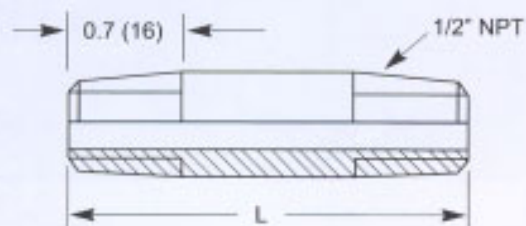


This well designed 3 piece union in SS316, comes complete with a teflon gasket, and is used in conjunction with nipples to provide thermal isolation to the thermocouple head.

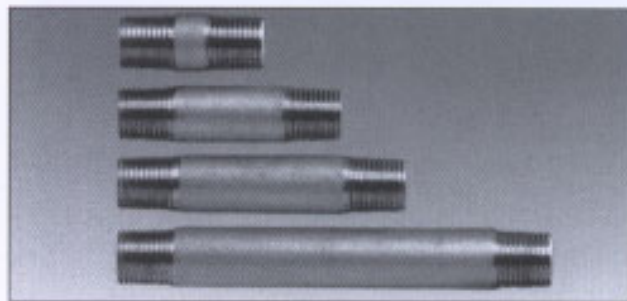


## Nipple

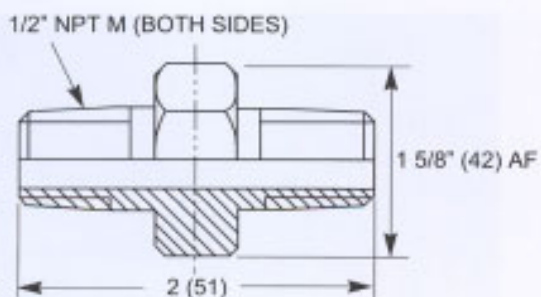
Model 5020	L = 2"
Model 5030	L = 3"
Model 5040	L = 4"
Model 5060	L = 6"



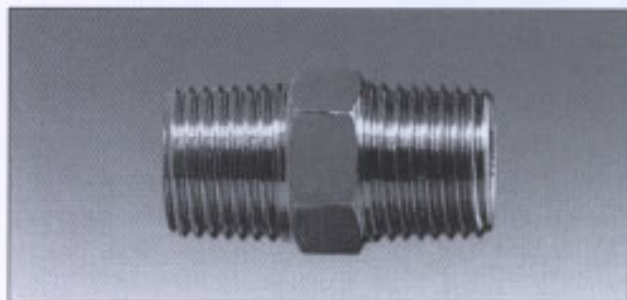
This standard SS316 nipple comes in a variety of lengths and can be combined with the union above to meet all Nipple-Union-Nipple combinations.



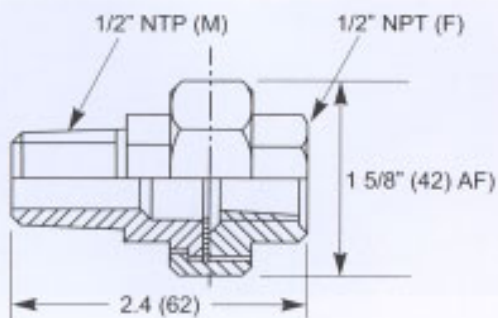
## Model 5400



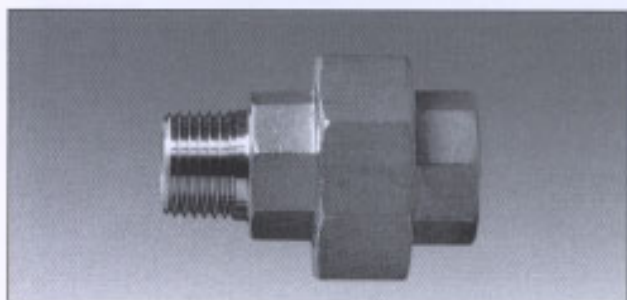
A standard SS316 hexagonal nipple.



## Model 5200

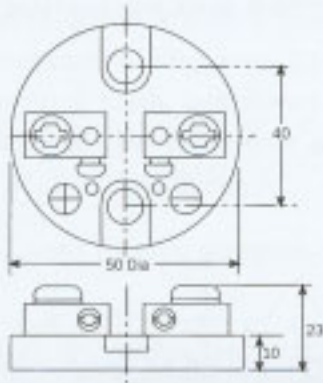


This union comes with a male thread on one side and a female thread on the other end, allowing a variety of combinations and lengths.

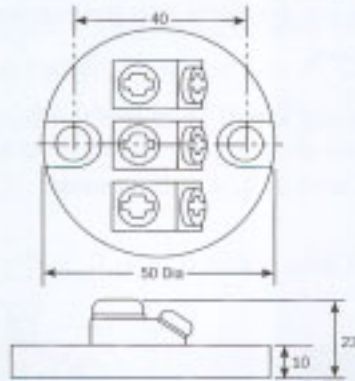


# LARGE DIAMETER (2") CERAMIC TERMINAL BLOCKS

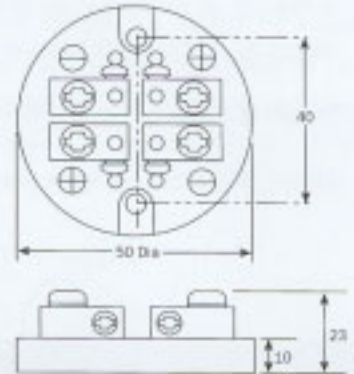
**MODEL 8092 TWO TERMINALS**



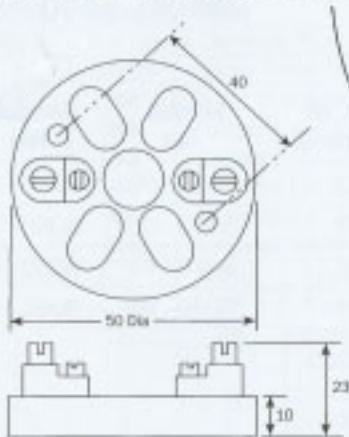
**MODEL 8093 THREE TERMINALS**



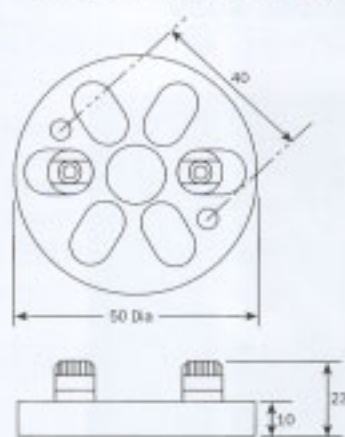
**MODEL 8094 FOUR TERMINALS**



**MODEL 8070, DUAL SCREW TERMINALS**



**MODEL 8071, SINGLE POST**



8071-06



8070-06

Dual Screw Terminal	Terminal
Model 8070 - 02	2
Model 8070 - 03	3
Model 8070 - 04	4
Model 8070 - 06	6

Single Post Terminal	Terminals
Model 8071 - 02	2
Model 8071 - 03	3
Model 8071 - 04	4
Model 8071 - 06	6



8071-02

8071-03

8071-04

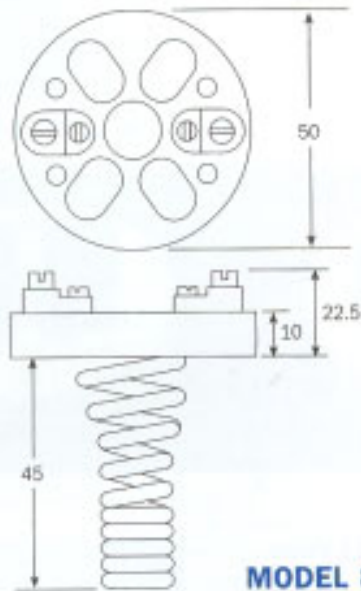
8071-06

## SPRING LOADED TERMINAL BLOCKS

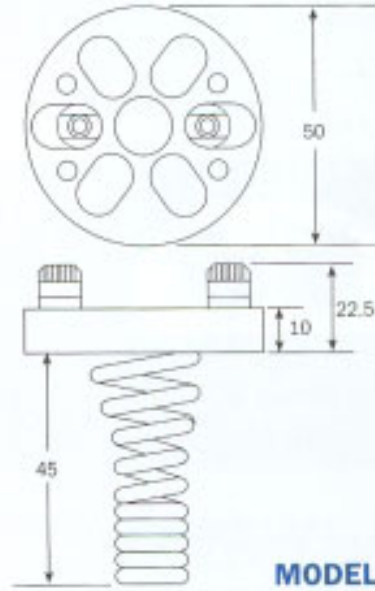
With an Integral Spring, which conveniently screws into the terminal block and spring loads the sensor without any soldering or crimping, so that it bottoms out perfectly into the thermowell. The terminal block has provision for mounting either on 33 mm or 40 mm centers.

Model 8059 has a dual screw post and comes with 2, 3, 4 or 6 terminals

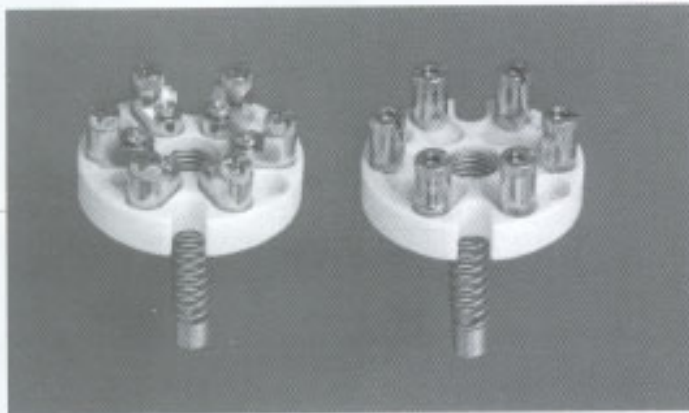
Model 8060 has a single post and comes with 2, 3, 4 or 6 terminals



**MODEL 8059**



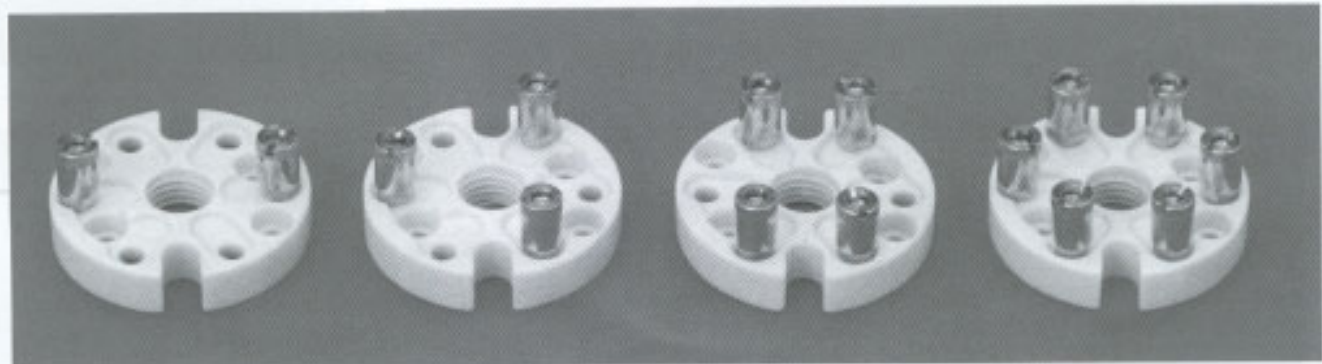
**MODEL 8060**



8059-06

8060-06

No. of Terminals	Model No	Model No
2	8059 - 02	8060 - 02
3	8059 - 03	8060 - 03
4	8059 - 04	8060 - 04
6	8059 - 06	8060 - 06



8060-02

8060-03

8060-04

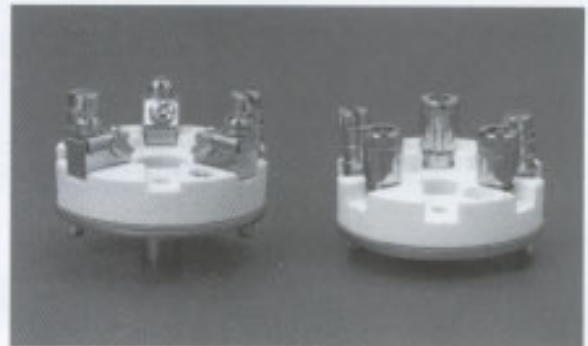
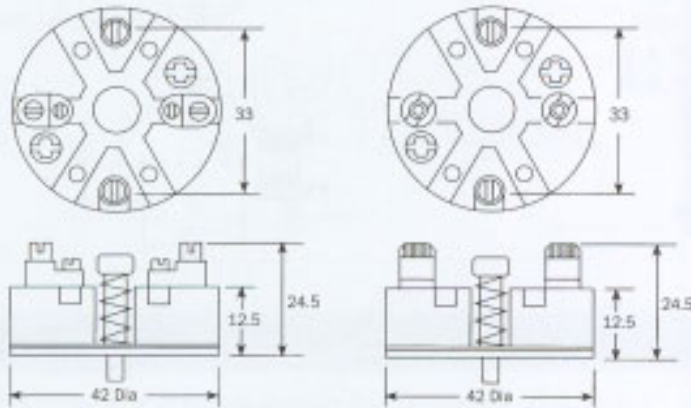
8060-06



## MODEL 8055 DIN B TERMINAL BLOCKS, SPRING LOADED

The model 8055 Ceramic Terminal Block meets the requirement of DIN B block. It is 42 mm in diameter, and comes with a Stainless Steel mounting block. Two spring loaded SS screws allow the Block to be mounted in Connection heads having 33 mm center to center provisions. As an option a crimp tube is provided integral to the mounting block, and allows the sensor or MI cable to be crimped in place, eliminating the need for brazing or soldering. The crimp tube accommodates both English and metric sizes of MI cables and sensors (1/8", 3/16", 1/4", 3/8" and 6mm).

The 8055 Ceramic block can be provided with 2, 3, 4 or 6 Single post or Dual Screw terminals.



8055B4DS03

8055NASP03

### MODEL NUMBER CONFIGURATION

MODEL	DESCRIPTION
<b>8055</b>	Din Sized Ceramic Block, SS Mounting Plate And Spring Loaded Screws.
	<b>CODE</b> Crimp Tube Size
	<b>NA</b> None Provided
	<b>B2</b> Suitable for 1/8" Diameter Sensor or MI Cable
	<b>B3</b> Suitable for 3/16" Diameter Sensor or MI Cable
	<b>B4</b> Suitable for 1/4" Diameter Sensor or MI Cable
	<b>B6</b> Suitable for 3/8" Diameter Sensor or MI Cable
	<b>M6</b> Suitable for 6 mm Diameter Sensor or MI Cable
	<b>CODE</b> Type of Terminal
	<b>SP</b> Single Post
	<b>DS</b> Dual Screw
	<b>CODE</b> Number of Terminals
	<b>02</b> Two
	<b>03</b> Three
	<b>04</b> Four
	<b>06</b> Six

8055 NA SP 04 ← TYPICAL MODEL NUMBER



8055NASP02

8055NASP03

8055NASP04

8055NASP06

# ORDERING INFORMATION

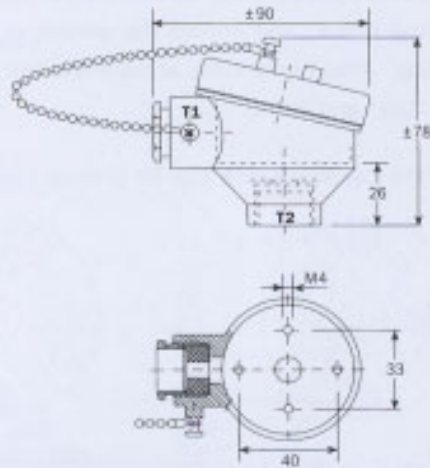
## Connection Heads

1086

Model	316 Stainless Steel Housing	
<b>1086 SD</b>	316 Stainless Steel Housing	
Code	Connection	
01	T1 = 3/4" NPT	T2 = 1/2" NPT
02	T1 = 1/2" NPT	T2 = 1/2" NPT
03	T1 = 3/4" PF	T2 = 1/2" PF
04	T1 = 3/4" BSP	T2 = 1/2" BSP
05	T1 = M20 x 1.5	T2 = 1/2" BSP
06	T1 = Pg. 16	T2 = M20 x 1.5
07	T1 = Pg. 16	T2 = M24 x 1.5
XX	TI = Specify	

### Ordering Example

	Model	Connection
Typical Model No.	1086 SD	01

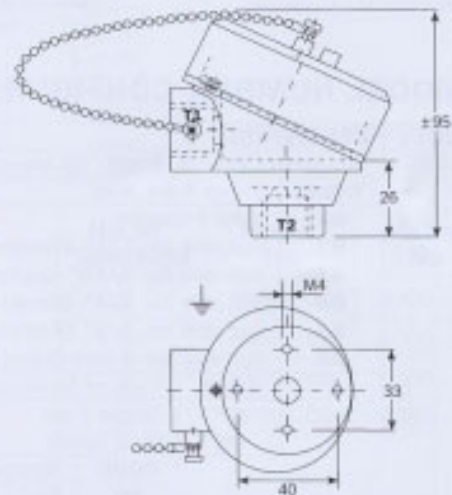


## Explosion Proof Certified Connection Heads

1080

Model	Aluminium Housing (Ex Proof Version)	
<b>1080 AE</b>	Aluminium Housing (Ex Proof Version)	
<b>1080 SE</b>	316 Stainless Steel Housing (Ex Proof Version)	
<b>1080 AN</b>	Aluminium Housing (Non Ex Proof Version)	
<b>1080 SN</b>	316 Stainless Steel Housing (Non Ex Proof Version)	

Code	Connection	
01	T1 = 3/4" NPT	T2 = 1/2" NPT
02	T1 = 1/2" NPT	T2 = 1/2" NPT
03	T1 = 3/4" PF	T2 = 1/2" PF
04	T1 = 3/4" BSP	T2 = 1/2" BSP
05	T1 = M20 x 1.5	T2 = 1/2" BSP
06	T1 = Pg. 16	T2 = M20 x 1.5
07	T1 = Pg. 16	T2 = M24 x 1.5
XX	TI = Specify	

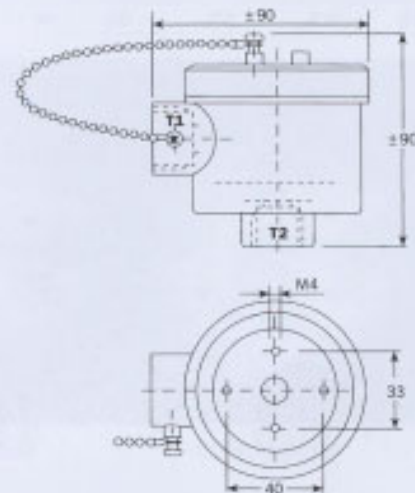


## Stainless Steel Heads for Temperature Transmitters

1088

Model	316 Stainless Steel Housing (Non Ex Proof Version)	
<b>1088 SN</b>	316 Stainless Steel Housing (Non Ex Proof Version)	

Code	Connection	
01	T1 = 3/4" NPT	T2 = 1/2" NPT
02	T1 = 1/2" NPT	T2 = 1/2" NPT
03	T1 = 3/4" PF	T2 = 1/2" PF
04	T1 = 3/4" BSP	T2 = 1/2" BSP
05	T1 = M20 x 1.5	T2 = 1/2" BSP
06	T1 = Pg. 16	T2 = M20 x 1.5
07	T1 = Pg. 16	T2 = M24 x 1.5
XX	TI = Specify	



# CONNECTION HEADS

## Connection Heads

1086

This housing is available in SS 316, and is economically priced to meet to DIN B dimensions and requirements. It can accommodate a medium sized temperature transmitter or terminal block, 50 mm in diameter. The PG16 version only comes with a cable gland. The process side dimensions are identical to the DIN B head, so they can replace them in full. Weight for the SS 316 version, 360 gram.



## Explosion Proof Certified Connection Heads

1080

This housing is available in both Aluminium and SS 316, and comes with complete certification as shown on this page. Designed specifically for Ex-proof applications, the unit can accommodate a terminal block, 50 mm in diameter, or a medium sized temperature transmitter. A low cost non explosion proof version is also available in Aluminium. A wide selection of Cable and Instrument connections make this unit a very versatile device. Weight for the SS 316 version, 815 gram.

Code	Description
------	-------------

CSA	CSA Explosion Proof Approval
FM	Factory Mutual Explosion Proof Approval
	Explosion Proof for Class I, Division I, Groups B, C and D
	Dust Ignition Proof for Class II, Division I, Groups E, F and G
	Temperature -40° to 80°C
	Indoor / Outdoor (NEMA 4, NEMA 4X)



## Stainless Steel Heads for Temperature Transmitters

1088

This housing is available in SS 316, and is designed specially for large temperature transmitters. The housing will accommodate a transmitter 65 mm (2.5") in diameter and approximately 45 mm (1.8") in height. Meets the requirements of IP65 NEMA 4. Weight for the SS 316 version, 560 gram.

